

**PLEASANTVIEW  
FIRE PROTECTION DISTRICT  
BUREAU OF FIRE PREVENTION**

**IN EMERGENCY  
CALL 911**

1970 PLAINFIELD ROAD  
LAGRANGE HIGHLANDS, IL 60525  
PHONE (708) 352-3021  
FAX (708) 579-2058

Are you familiar with the **Key Box** program? A small safe is installed outside your business or residence where keys may be placed for our use in an emergency. See the following pages for more details.

Key Boxes must be ordered through the Fire Prevention Bureau. Please contact us if you are interested in participating.

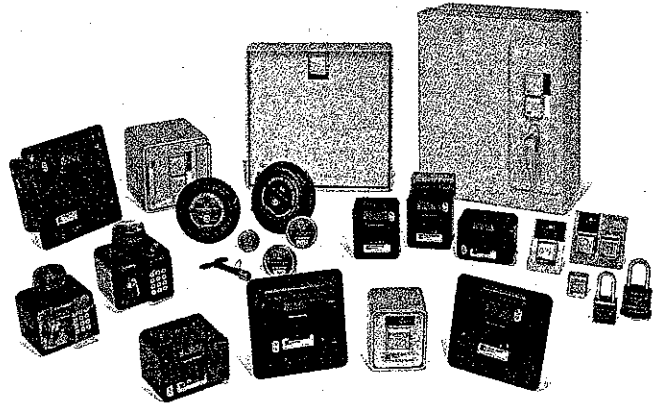
Also, any time you change your locks, please notify us so that we can put the correct, current keys in place.

**KNOX® RESIDENTIAL (Holds two keys maximum)**

Part #	Color	Part	Price
1650	Black	Surface Mount, Lift-Off Door	\$149.00
1651	Black	Surface Mount, Lift-Off Door, with Door Hanger Bracket	\$160.00
1658	Black	Surface Mount, Hinged Door	\$175.00
1659	Black	Surface Mount, Hinged Door, with Door Hanger Bracket	\$186.00

**ACCESSORIES**

Part #	Part	Price
1001	Fire Dept. Reflective Alert Decal	\$1.50
1002	Fire Dept. Reflective Single Key Switch Decal (Red)	\$3.00
1003	Sheriff Dept. Reflective Single Key Switch Decal (Gold)	\$3.00
1004	Police Dept. Reflective Single Key Switch Decal (Blue)	\$3.00
1005	Pre-Fire Plan Reflective Decal (8" x 8")	\$12.00
1006	Key Tags (Package of 10)	\$3.00
1007	One Inch Key Rings (Package of 10)	\$3.50
1008	Tamper Seals (Package of 50)	\$10.00
1009	Tamper Evident Bags (Package of 10)	\$3.00



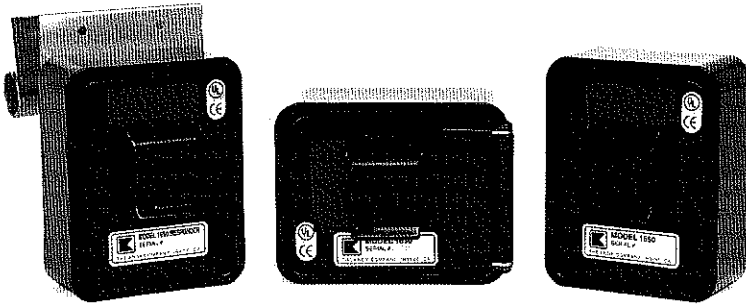
623-687-2300 • 800-552-5669  
Fax 623-687-2299

E-mail: [info@knoxbox.com](mailto:info@knoxbox.com) • Web: [www.knoxbox.com](http://www.knoxbox.com)  
1601 W. Deer Valley Road • Phoenix, Arizona 85027

*Smoke Detectors Save Lives — Is Yours Working?*

# Residential KNOX-BOX® To The Rescue

Knox Residential 1650 Series



Protect residential property from forced entry damage during fire and medical emergencies. Safely secure your entrance key in a Residential KNOX-BOX®.



Fire departments gain entry into this key box with the Knox® Master Key. It is a high security master key used only by your local fire department for emergency access. The Residential KNOX-BOX® is just part of the department's Knox Rapid Entry System.

Knox-Box key boxes already protect businesses, schools and commercial properties against forced entry damage and delayed emergency response. Key boxes, vaults, cabinets,

key switches and padlocks provide complete and secure key control for your local fire department.

The Residential KNOX-BOX is available in a permanent, surface-mounted version with a lift-off door (Model #1650) or a hinged door (Model #1658). There is also a temporary door-hanging version with a lift-off door (Model #1651) or with a hinged door (Model #1659) used for emergency medical access during temporary illness.

## Residential Knox-Boxes protect your family and your property during emergencies.



### Emergency Medical Services

When you are injured or become critically ill, paramedics can respond quickly, without forcing entry, when a KNOX-BOX is installed by your front door. They simply remove the entrance key stored inside, provide medical assistance and re lock the door when they leave.



### Fire/Security Alarm Response

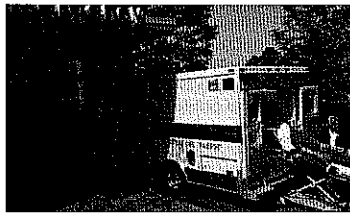
If no one is home and an alarm activates, firefighters and other emergency responders must determine if it is a false alarm or an actual emergency. Without a KNOX-BOX, responders often force entry to determine the answer.



### Fire Sprinkler System Shut Off

Fire sprinkler protection in single-family homes, apartment complexes and condominiums is becoming more common. Extensive water damage can be prevented when firefighters quickly access the home and determine the cause.

# Knox® Residential 1650 Series



## Senior Citizen "LifeLine" Support

Elderly and/or critically ill citizens who depend on medical support services such as LifeLine™, also rely on fast response to calls for emergency aid. Knox-Box key boxes prevent forced entry and additional stress for the patient.



## Paramedic and Firefighter Safety

When emergency responders cannot unlock the front door, they search for an alternate means of entry. Sometimes it is difficult to determine which rear window or door to try before forcing entry. If they accidentally enter the wrong apartment, serious injury can result from the surprised occupant.



## Gated Communities Access

Quickly getting through the gate and to the resident that called for help is often difficult. With the Knox System, the gate can be opened with a Knox Key Switch and the person in need can be reached by unlocking the front door with an entrance key safely stored in their Residential KNOX-BOX.

## About the Knox Company

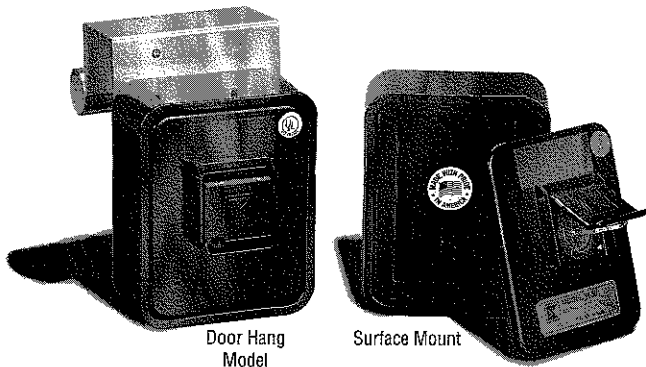
Knox has been manufacturing high security key boxes, vaults, cabinets, key switches and padlocks since 1975. This proven rapid entry system reduces response time, property damage and the liability for lost keys. More than 8,000 fire departments and the communities they serve depend on Knox products and services.



For order information, please call your  
fire department or visit [www.knoxbox.com](http://www.knoxbox.com).



### High Security Residential Key Box



The 1650 Series KNOX-BOX® key box was developed to secure residential entrance keys. Knox Residential is used for fire, police and medical emergency entry in gated communities, single family residences and apartment complexes. The residential key box is also available with a door-hanging bracket for emergency medical access during temporary convalescence.

### Features and Benefits

- Holds up to 2 keys in interior compartment
- Ensures high security with UL Listed Medeco lock
- Includes Knox-Coat® that is four times better than standard powder coat
- Resists moist conditions with a weather resistant door gasket
- Colors:    Black
- Weight:    7 lbs.

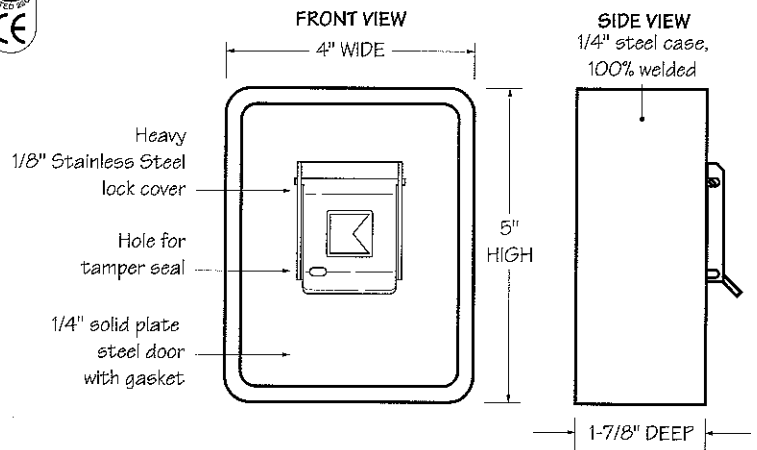
### Options

- Door bracket for hanging over 1-7/8" door for temporary applications.

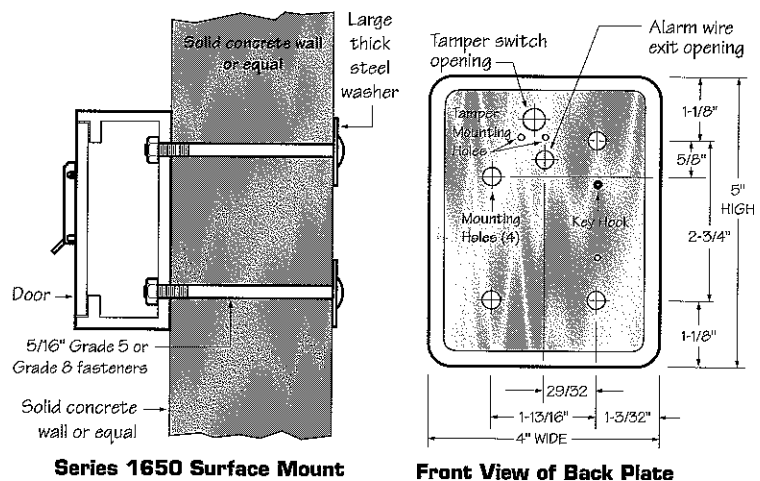
**Attention: KNOX-BOX® key box is a very strong device that MUST be mounted properly to ensure maximum security and resist physical attack.**

#### Knox® Rapid Entry System

The Knox Company manufactures a complete line of high security products including Knox-Box key box, key vaults, cabinets, key switches, padlocks, locking FDC caps, plugs and electronic master key security systems. For more information or technical assistance, please call Customer Service at 1-800-552-5669.



**Suggested minimum mounting height  
6 feet above ground**



**Note: For commercial applications, see 3200 Series Knox-Box® or 4400 Series Knox-Vault™.**

### Ordering Specifications

**To insure procurement and delivery of the 1650 Series KNOX-BOX lift-off door model, it is suggested that the following specification paragraph be used:**

**KNOX-BOX** surface or door mount. 1/4" plate steel housing, 1/4" thick steel door with interior gasket seal. Box and lock UL® Listed. Lock has 1/8" stainless steel dust cover with tamper seal mounting capability.

Exterior Dimensions: Surface mount - 5"H x 4"W x 1-7/8"D  
Door hanger - 5"H x 4"W x 1-7/8"D

Lock: UL Listed. Double-action rotating tumblers and hardened steel pins accessed by a biased cut key.

Finish: Knox-Coat® proprietary finishing process

Colors: Black

P/N: 1650 Series KNOX-BOX (mfr's cat. ID)

Mfr's Name: **KNOX COMPANY**